

## Underfloor system: 8912BK

### Specification:

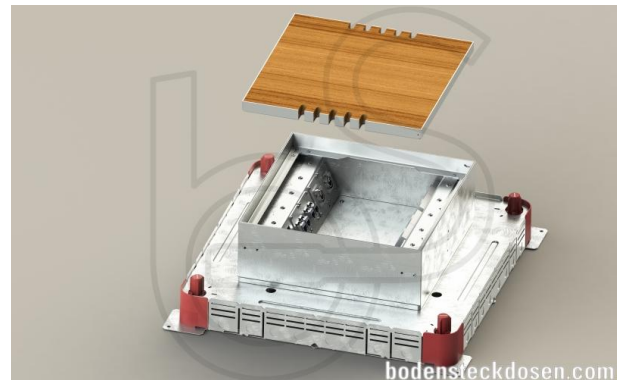
Item No:	8912BK
Product line:	Underfloor system
Units:	12
Mounting (qty):	12x SCHUKO socket with VDE certification
Construction:	Square
Ground:	Suitable for screed
Type of inst.:	Flush mounted
Lid character.:	<ul style="list-style-type: none"> <li>• Own floor covering applicable</li> <li>• Hinged</li> <li>• Removable</li> <li>• Closable with plugged in plugs</li> </ul>
Environment:	Dry to moist
Protect. Class:	IP41
EAN:	0706332881422

### Technical data:

Material:	<ul style="list-style-type: none"> <li>• Adapter box made of galvanized steel sheet</li> <li>• Lid made of stainless steel (1,5mm / 1.4301)</li> <li>• Equipment carrier made of aluminum</li> </ul>
Colour:	Stainless steel
Surface:	Grindet
Weight:	6500g
Dimensions:	303 x 303 x 90mm
Install. Dim.:	303 x 303 x 90mm
Height-adjustable:	30mm
Load:	Walkable (Point load max. 120kg)

### Features:

Delivery cond.:	Complete and pre-assembled
Opt. attachments:	<ul style="list-style-type: none"> <li>• Item No. KUD - Underfloor box</li> <li>• Item No. UFK48 - Underfloor duct</li> </ul>



The illustrations may differ from the indicated equipment or represent accessories.

Errors and technical changes reserved.